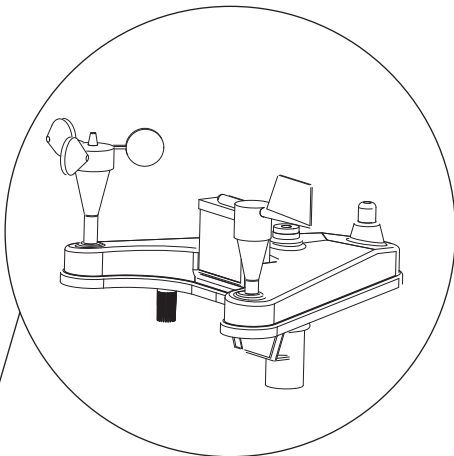
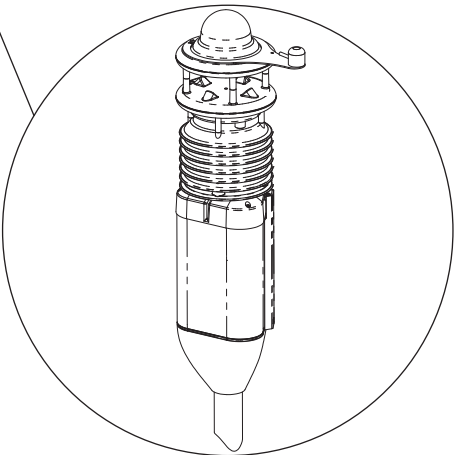


WeatherHawk® Signature Series



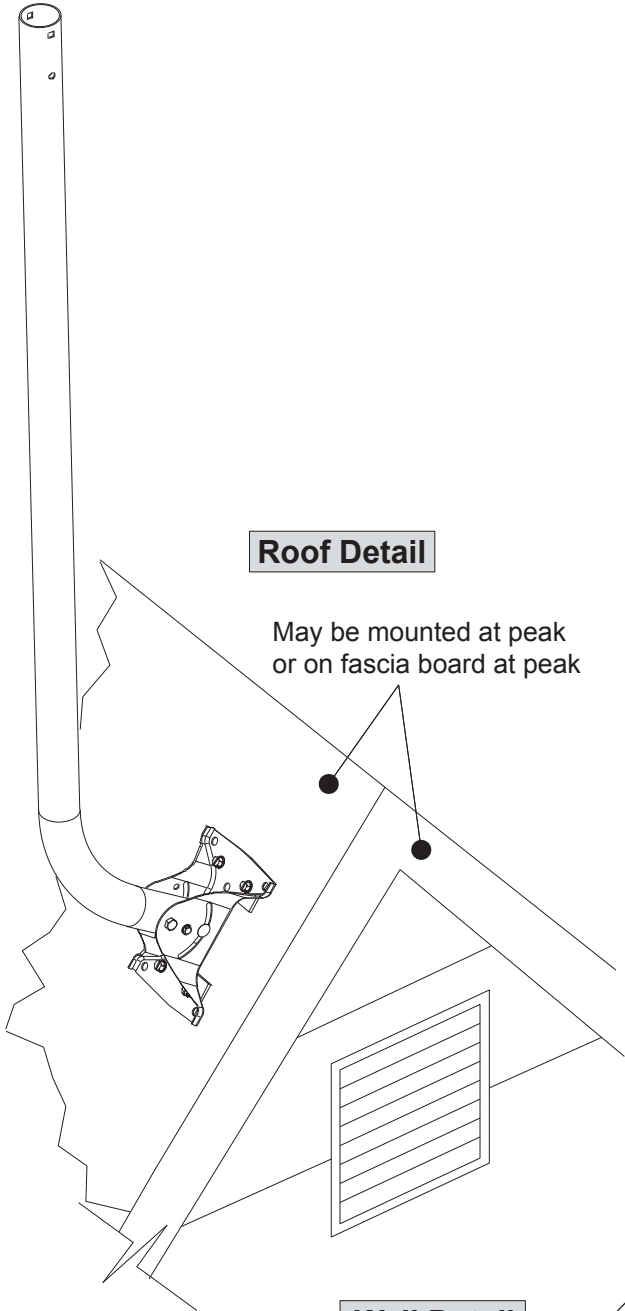
OR



WeatherHawk® 600 Series

Roof Detail

May be mounted at peak or on fascia board at peak



Wall Detail

(x1) Curved Pipe (can use 1x 3' extension)

(x1) Round Head Bolt

(x1) Hex Head Bolt

(x2) Self-tapping lock screws installed in base after mast angle is established. (match drill pilot hole through base and mast)

(x4) Lag Bolts

(x2) Nuts

(x1) Roof Mount Bracket with 180° angle adjustment

(x2) Gasket