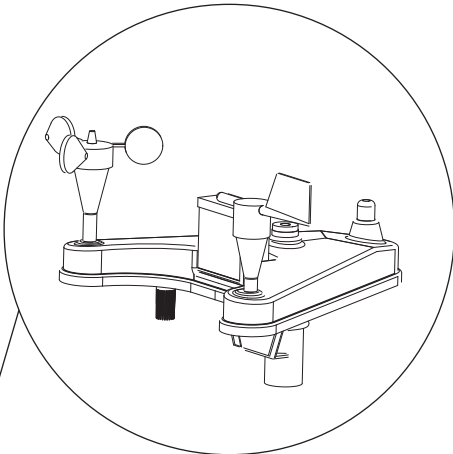
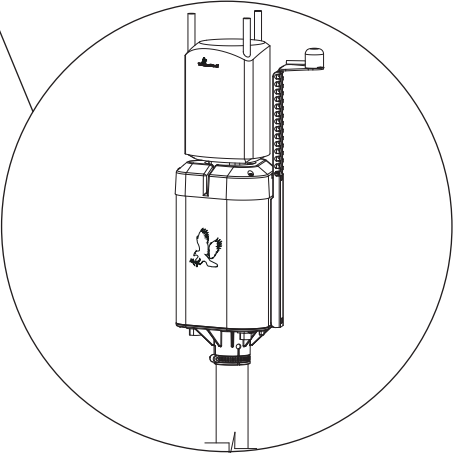


WeatherHawk® Signature Series



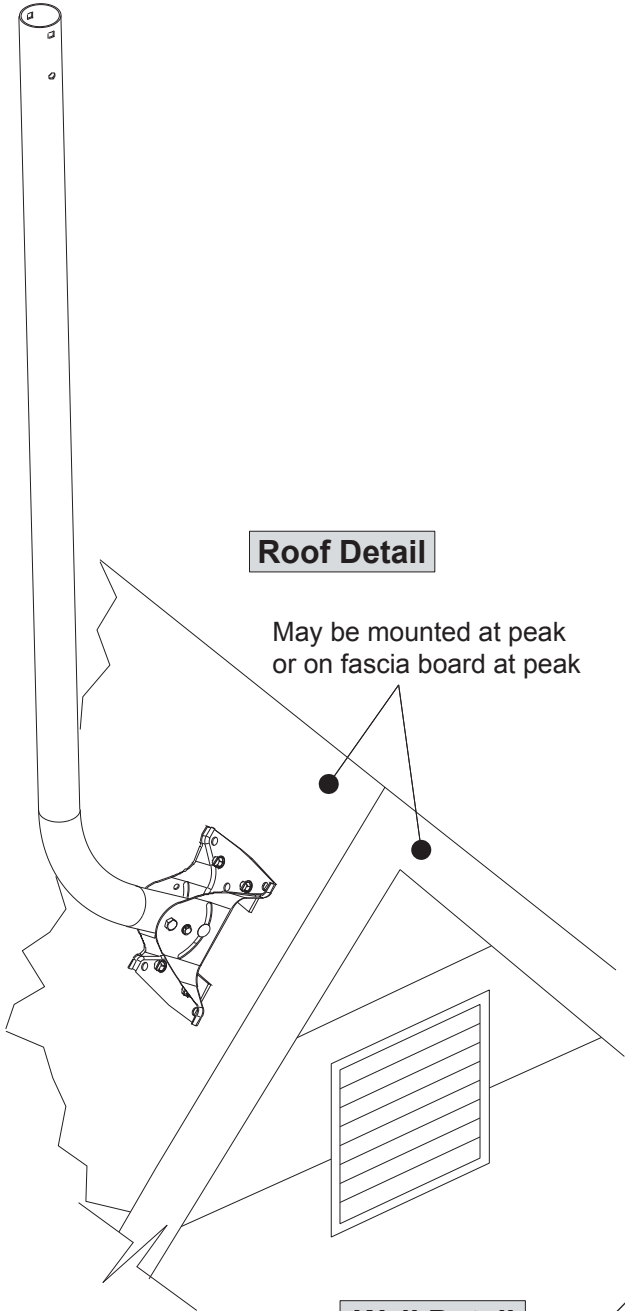
OR



WeatherHawk® 500 Series

Roof Detail

May be mounted at peak or on fascia board at peak



Wall Detail

(x1) Curved Pipe
(can use 1x 3' extension)

(x1) Round Head Bolt

(x1) Hex Head Bolt

(x2) Self-tapping lock screws
installed in base after mast angle is
established. (match drill pilot hole
through base and mast)

(x4) Lag Bolts

(x2) Gasket

(x2) Nuts

(x1) Roof Mount Bracket
with 180° angle adjustment